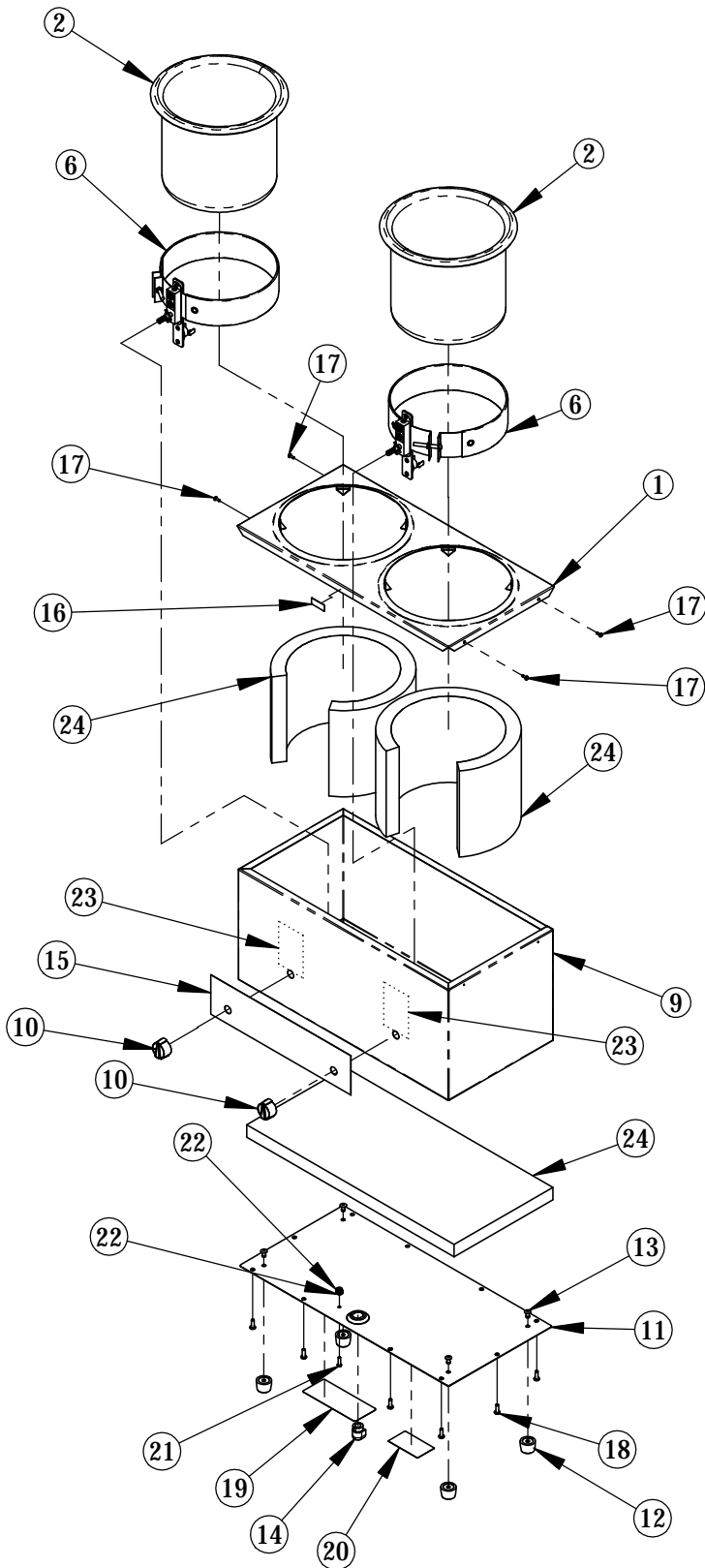
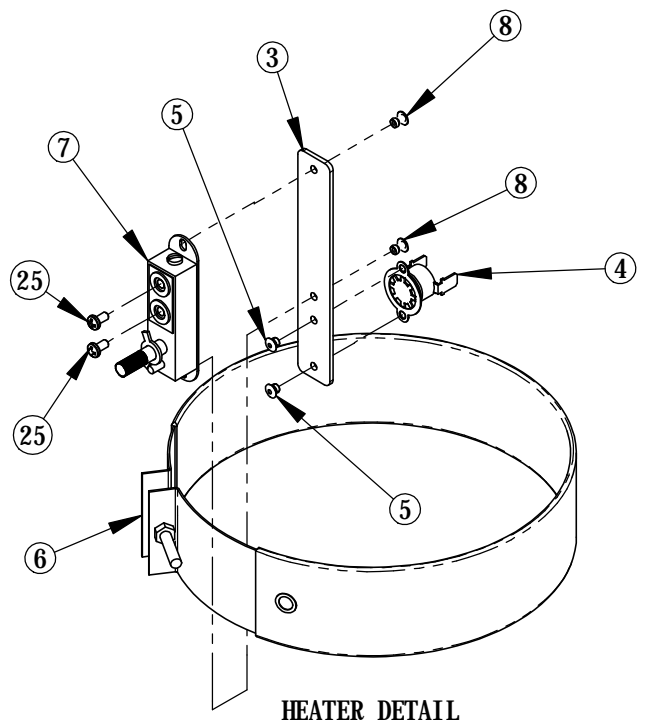


CM 24



ITEM NO.	PART NO.	DESCRIPTION
1	17099	TOP PLATE TW-24
2	44239	WELL
3	44181	BRACKET, MOUNTING, THERMOSTAT
4	17504	SWITCH, HIGH LIMIT
5	23090	POP RIVET .125 DIA. .125 LG.
6	17831	HEATING ELEMENT, BAND, 120V, 550W
7	17037	THERMSTAT, SHORT STEM B-200
8	23091	POP RIVET .125 DIA .188 LG.
9	44311	HOUSING CM-24
10	17097	KNOB
11	44195	PANEL, BOTTOM
12	17416	LEG, PHENOLIC (BLACK)
13	23097	RIVET, POP - .187 DIA. ALUMNUM
14	17024	STRAIN RELIEF
15	17101	LABEL, CM-24 CONTROL
16	21587	LABEL, CAUTION HOT
17	17047	SCREW- PAN HEAD #4 X .375" LG
18	17018	SCREW, 8-32 X .500
19	17828	LABEL, RATING
20	17346	LABEL - RETHERM
21	17020	SCREW, #10-32 X .25 LG.
22	17019	#6-32 KEPS NUT
23	17386	TAPE, ELECTRICAL, GLASS CLOTH
24	17032	INSULATION, FIBERGLASS, 1" THICK
25	17496	SCREW, #6-32 X .250
33	17029	WARRANTY CARD (NOT SHOWN)



HEATER DETAIL