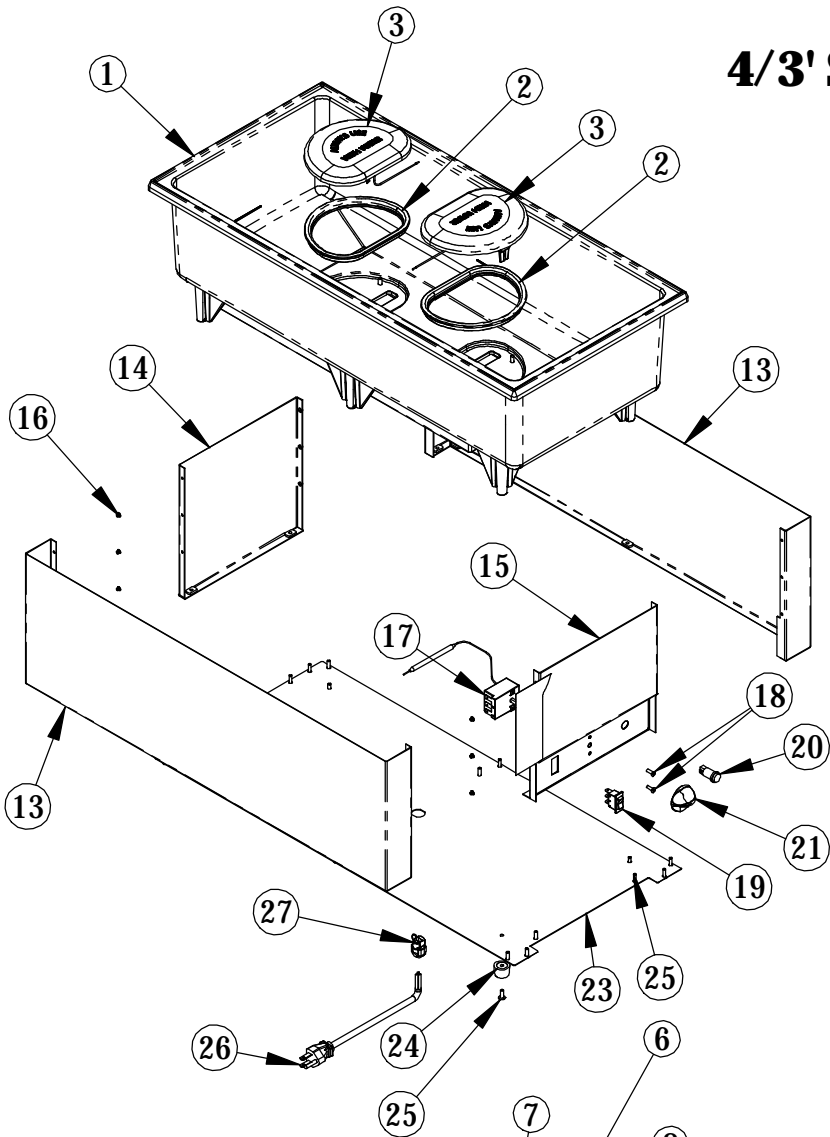
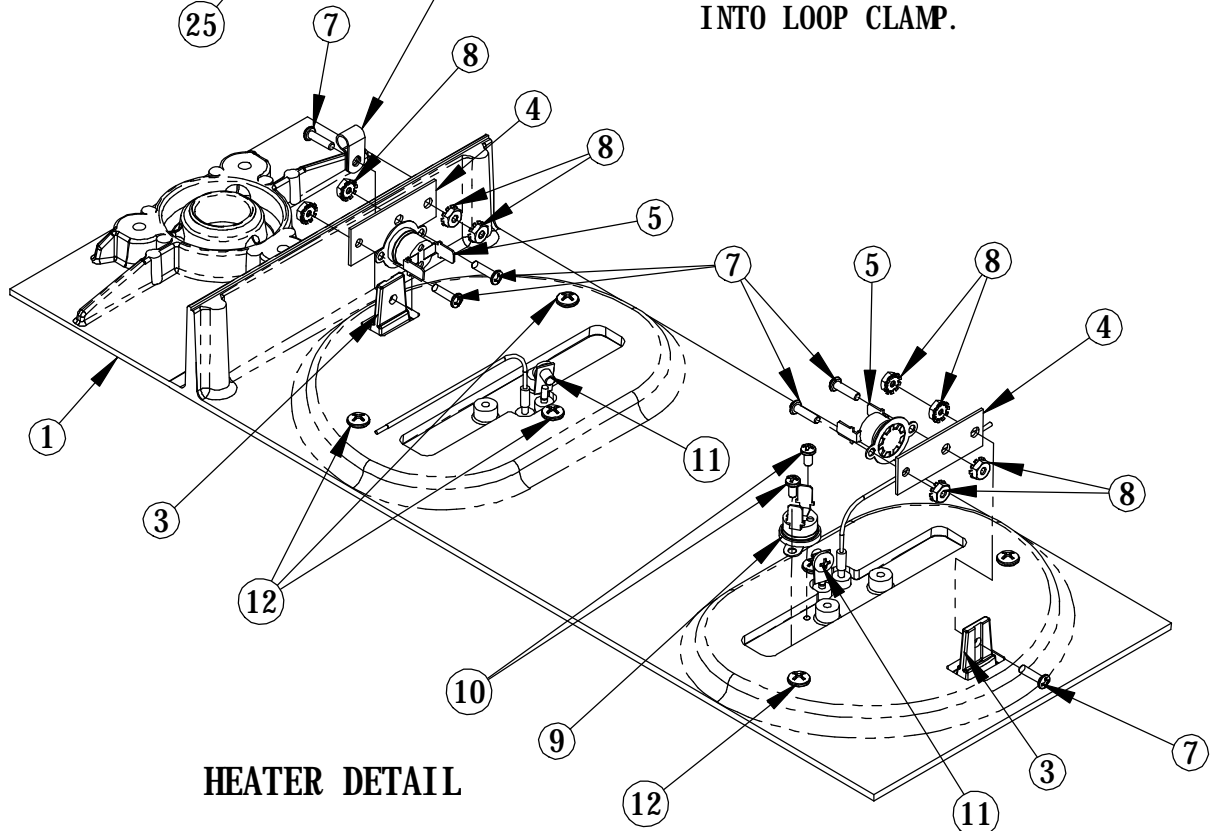


4/3'S THERMASET WITHOUT DRAIN



ITEM NO.	PART NO.	DESCRIPTION
1	17755	WELL, 4/3's PLASTIC
2	17868	"D" SHAPED HEATER GASKET
3	44287	HEATER, 120V 800W
4	44459	HI LIMIT PLATE
5	17504	SWITCH, HIGH LIMIT
6	17741	LOOP CLAMP
7	17020	SCREW #6-32 x 1/2" PH RD
8	17019	#6-32 KEPS NUT
9	25438	THERMOSTAT, REGULATING
10	17496	SCREW, #6-32 X .250
11	17117	SCREW, #10-32 X .25 LG.
12	17014	SCREW, #10-32 X .625 THREAD ROLLING
13	44293	PANEL, SIDE, W/NUTS
14	44297	PANEL, BACK, W/NUTS
15	44295	PANEL, FRONT, W/NUTS
16	23095	Rivet, Pop - .125 Dia.
17	17074	THERMOSTAT, SHORT CAPILLARY
18	17256	SCREW 4mm x 10mm
19	23420	SWITCH, ROCKER, LIGHTED, 125V
20	17559	LIGHT, PILOT
21	17388	KNOB, CONTROL
22	17848	HARNES, WIRE (NOT SHOWN)
23	44292	PANEL, BOTTOM
24	17416	LEG, PHENOLIC (BLACK)
25	21775	#8-32 TRUSS HEAD .500 LG.
26	17847	CORD, POWER, 120V 5-15P
27	17860	CORD, POWER, 120V 5-20P (CANADA UNIT)
27	17872	90 DEG STRAIN RELIEF

CAPILLARY BULB FROM THERMOSTAT TO BE INSERTED INTO LOOP CLAMP.



HEATER DETAIL